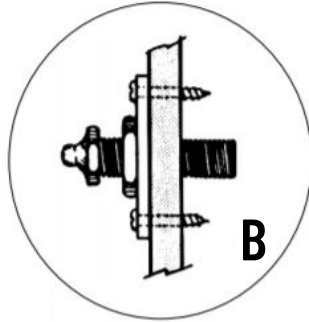
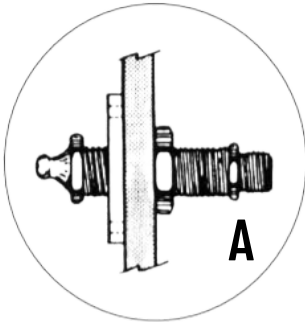
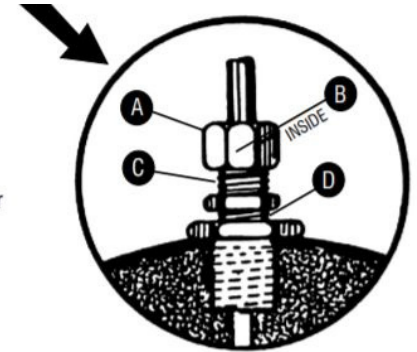


GREASE FITTING KIT SDGFK1

For hard to reach places



- A 1/4 Compression Nut
- B Compression Sleeve
- C 1/8 MPT x 1/4 Compression Connector
- D Reducing Bushing When Required



INSTRUCTIONS

1. Remove old grease fitting
2. Install 1/8 MPT x 1/4 Compression Connector (use Reducing Bushing if required)
3. Attach tube using a Compression Nut and Sleeve
4. Drill a 1/2" hole in selected location where you desire to install this "EASY ACCESS" Grease Fitting
5. Assemble the mounting plate as shown in Figure A or B
6. Install 2nd 1/8 MPT x 1/4 Compression Connector to Threaded Adapter
7. Attach tube using 2nd 1/4 Compression Nut and Sleeve
8. Install new Grease Fitting and lubricate

KIT CONTENTS

10' High of high pressure tubing and all the necessary fittings



2 - 1/8 MPT x 1/4
Compression Connectors



2 - 1/4 Compression Nuts



1 - Grease Fitting



2 - Compression Sleeves



1 - Jam Nut



1 - Threaded Adapter



2 - Screws



1 - Mounting Plate



1 - 1/4 x 1/8 Reducing Brushing
1 - 3/8 x 1/8 Reducing Brushing



SUPPLYING DEMAND[®]
supplyingdemand.org



@therepairbrand | supplyingdemand